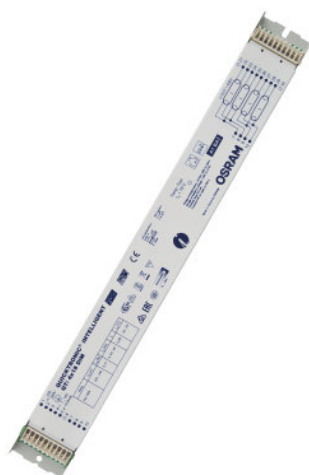


## QUICKTRONIC INTELLIGENT DIM T8

ECG dimmable 1...10 V for FL 26 mm



### Areas of application

- Suitable for use in emergency lighting systems as per EN 50172/DIN VDE 0108-100
- Installation in emergency lighting systems according to IEC 61347-2-3, appendix J
- Industry
- Open-plan offices, corridors and storage rooms
- Public buildings
- Suitable for luminaires of protection class I

### Product family benefits

- Same luminous flux with direct and alternating current
- Perfect lamp start for applications with motion sensors
- Dimming of amalgam lamps without flickering or reduced lifespan
- Very high efficiency thanks to cut-off technology
- Automatic restart after lamp replacement
- ECGs comply with MINERGIE standard due to very low standby consumption
- Configurable emergency power characteristics
- Control via the 1...10 V interface

## Product family datasheet

---

### Product family features

- Control via 1...10 V interface
- Supply voltage: 220...240 V
- Line frequency: 0 Hz | 50 Hz | 60 Hz
- Line voltage: 198...264 V
- Dimming range: 1...100 % luminous flux
- Lamp start: within 0.6 s
- Lifetime: > 100,000 h (for  $T = 65\text{ °C}$  at  $T_c$ )
- Automatic shutdown of defective lamps and at end of life (EoL T.2)
- Energy Efficiency Index EEI: A1 BAT
- Overtemperature protection: Thermal management at high  $t_c$  temperatures
- Safety: to EN 61347-2-3
- Lamp operation: to EN 60929
- RI suppression: to EN 55015:2006+A1:2007+A2:2009/CISPR 15
- Line harmonics according to EN 61000-3-2
- Immunity according to EN 61547

## Product family datasheet

### Technical data

#### Electrical data

Product description	Input voltage AC	Nominal voltage	Mains frequency	Input voltage DC
QTi 3X18 DIM	198...264 V	220...240 V	50/60 Hz	154...276 V
QTi 4X18 DIM	198...264 V	220...240 V	50...60 Hz	154...276 V

#### Light technical data

Product description	Starting time
QTi 3X18 DIM	0.6 s <sup>1)</sup>
QTi 4X18 DIM	0.6 s <sup>1)</sup>

<sup>1)</sup> Optimized preheat start

#### Dimensions & weight

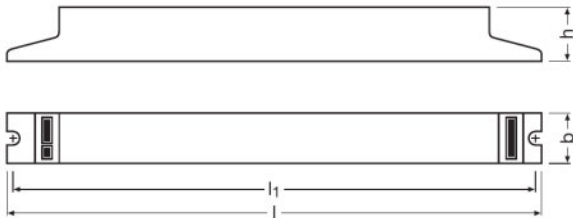
Product description	Length	Width	Height	Mounting hole spacing, length	Product weight	Cable cross-section, input side
QTi 3X18 DIM	360.0 mm	40.0 mm	21.0 mm	350.0 mm	390.00 g	0.5...1.5 / 0.5...1.0 mm <sup>2</sup> <sup>1)</sup>
QTi 4X18 DIM	360.0 mm	40.0 mm	21.0 mm	350.0 mm	401.00 g	0.5...1.5 / 0.5...1.0 mm <sup>2</sup> <sup>1)</sup>

Product description	Cable cross-section, output side
QTi 3X18 DIM	0.5...1.5 / 0.5...1.0 mm <sup>2</sup> <sup>1)</sup>
QTi 4X18 DIM	0.5...1.5 / 0.5...1.0 mm <sup>2</sup> <sup>1)</sup>

<sup>1)</sup> Solid leads / Flexible

# Product family datasheet

## Product line drawing



QTi 3X18 DIM, QTi 4X18 DIM

## Temperatures & operating conditions

Product description	Ambient temperature range
QTi 3X18 DIM	-20...+50 °C
QTi 4X18 DIM	-20...+50 °C

## Lifespan

Product description	ECG lifetime
QTi 3X18 DIM	100000 h <sup>1)</sup>
QTi 4X18 DIM	100000 h <sup>1)</sup>

<sup>1)</sup> At  $T_{case} = 65^{\circ}C$  at  $T_c$  point / 10% failure rate

## Capabilities

Product description	Dimmable	Suitable for fixtures with prot. class	End of lamp life safety shutdown
QTi 3X18 DIM	Yes	I	EOL T.2
QTi 4X18 DIM	Yes	I	EOL T.2

## Product family datasheet

### Certificates & standards

Product description	Approval marks – approval	Protection class
QTi 3X18 DIM	VDE / VDE-EMC / EAC / CCC	I
QTi 4X18 DIM	VDE / VDE-EMC / EAC / CCC	I

### Logistical data

Product description	Commodity code
QTi 3X18 DIM	850410809000
QTi 4X18 DIM	850410809000

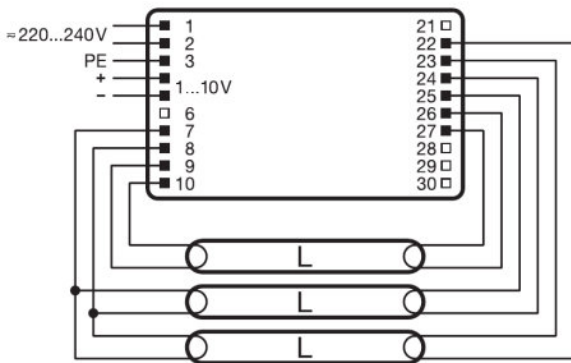
### Environmental information Information according Art. 33 of EU Regulation (EC) 1907/2006 (REACH)

Product description	Date of Declaration	Primary Article Identifier	Declaration No. in SCIP database
QTi 3X18 DIM	14-04-2022	4008321069931	In work
QTi 4X18 DIM	14-04-2022	4008321070012	4aa08c11-d375-4b22-b204-9cc7d8aa7e3a

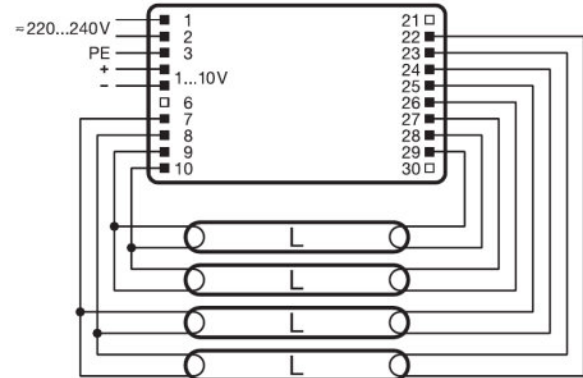
Product description	Candidate List Substance 1	CAS No. of substance 1	Safe Use Instruction
QTi 3X18 DIM			
QTi 4X18 DIM	Lead	7439-92-1	The identification of the Candidate List substance is sufficient to allow safe use of the article.

## Product family datasheet

### Wiring Diagram



QT i 3X18 DIM



QT i 4X18 DIM

### Application advice

For more detailed application information and graphics please see product datasheet.

### Additional product information

- In order to achieve good radio interference suppression:1. Keep the cable between ECG and lamp as short as possible.2. The single lamp wires must be routed as close as possible to each other, whereas the lines of the different lamp ends must be routed separately.

### Sales and Technical Support

Sales and Technical Support [www.osram.com](http://www.osram.com)

### Country specific information

Product description	Product code	METEL code	SEG-No.	STK number	UK Org
QT i 3X18 DIM	4008321069931	OSRQT i 3X18DIM	-	4031120	-
QT i 3X18 DIM	4008321069931	OSRQT i 3X18DIM	-	4031120	-
QT i 4X18 DIM	4008321070012	OSRQT i 4X18DIM	-	4031122	-
QT i 4X18 DIM	4008321070012	OSRQT i 4X18DIM	-	4031122	-

## Product family datasheet

### Download Data

	File
	Addon Technical Information 502689_Frequent switching Quicktronic
	Addon Technical Information 502785_ECG lifetime - QUICKTRONIC (DALI) DIM
	Product Datasheet 321518_ATI QT <i>i</i> 3x18220-240 DIM (G+GB)
	Certificates 334953_EMC-Marks approval
	Certificates 335097_INOTEC
	Certificates QTI DALI VDE 40021252 210920
	Certificates 335169_Manufacturer's declaration &#150; LampECG combinations: Frequent switching
	Certificates 592319_EAC certificate for Quicktronics QT
	Certificates 504208_VDE-EMC-CERTIFICATE QT <i>i</i> DALI DIM
	Operating instructions 592414_EAC QT <i>i</i> T8 DIM
	CAD data 3-dim 321642_QT <i>i</i> 3x18220-240 DIM
	CAD data 3-dim 321643_QT <i>i</i> 3x18220-240 DIM
	CAD data 3-dim 321644_QT <i>i</i> 3x18220-240 DIM
	CAD data PDF 321638_QT <i>i</i> 3x18220-240 DIM
	Product Datasheet 321519_ATI QT <i>i</i> 4x18220-240 DIM (G+GB)
	CAD data 3-dim 321655_QT <i>i</i> 4x18220-240 DIM
	CAD data 3-dim 321656_QT <i>i</i> 4x18220-240 DIM
	CAD data 3-dim 321657_QT <i>i</i> 4x18220-240 DIM
	CAD data PDF 321696_QT <i>i</i> 4x18220-240 DIM

## Product family datasheet

---

### Ecodesign regulation information:

Separate control gear and light sources must be disposed of at certified disposal companies in accordance with Directive 2012/19/EU (WEEE) in the EU and with Waste Electrical and Electronic Equipment (WEEE) Regulations 2013 in the UK. For this purpose, collection points for recycling centres and take-back systems (CRSO) are available from retailers or private disposal companies, which accept separate control gear and light sources free of charge. In this way, raw materials are conserved and materials are recycled.

---

### Logistical Data

Product code	Product description	Packaging unit (Pieces/Unit)	Dimensions (length x width x height)	Volume	Gross weight
4008321069931	QTi 3X18 DIM	Shipping carton box 20	384 mm x 90 mm x 210 mm	7.26 dm <sup>3</sup>	8072.00 g
4008321070012	QTi 4X18 DIM	Shipping carton box 20	384 mm x 90 mm x 210 mm	7.26 dm <sup>3</sup>	8292.00 g

The mentioned product code describes the smallest quantity unit which can be ordered. One shipping unit can contain one or more single products. When placing an order, for the quantity please enter single or multiples of a shipping unit.

---

### Disclaimer

- Subject to change without notice. Errors and omission excepted. Always make sure to use the most recent release.