

## PTi 35/220...240 I

POWERTRONIC INTELLIGENT PTi I | ECG for HID lamps, with cable clamp



### Product family features

- Energy Efficiency Index EEI: A2
- Supply voltage: 220...240 V
- Line frequency: 50...60 Hz
- RI suppression: to EN 55015/CISPR 15
- Safety: to EN 61347-2-12
- Line harmonics according to EN 61000-3-2
- Immunity according to EN 61547

### Product family benefits

- Extended terminal section enables mains looping
- Screw-down cable clamps for reliable strain relief
- Long reliable life at maximum permitted temperatures
- Automatic safety shutdown of lamps in the event of a defect or at end of life (EoL)

### Areas of application

- Shop lighting
- Health and fitness areas (in luminaires with protection class IP66 or higher)
- Effect and accent lighting

# Product datasheet

## Technical data

### Electrical data

Lamp wattage	39 W
Maximum output power	39 W
Line current	0.19 A <sup>1)</sup>
Ignition voltage	4.5 kVp
Operating frequency	0.200...0.240 kHz
System wattage	43.00 W
Efficiency in full-load	91 %
Input voltage AC	198...264 V
Nominal voltage	220...240 V
Mains frequency	50...60 Hz
Power factor $\lambda$	0.95 <sup>2)</sup>
Inrush current	30 A <sup>3)</sup>
Max. ECG no. on circuit breaker 10 A (B)	15 <sup>4)</sup>
Max. ECG no. on circuit breaker 16 A (B)	26 <sup>4)</sup>
Max. no. of ECGs on 16A MCB with EBN-OS	65 <sup>4)</sup>
Maximum current for mains looping	16 A
Protective conductor current	0.3 mA
U-OUT (working voltage)	250 V
Max. working voltage between LH and LL	250 V
Max. working voltage betw. LL/LH & earth	250 V
Max. capacitance of wire ECG/lamp	120 pF

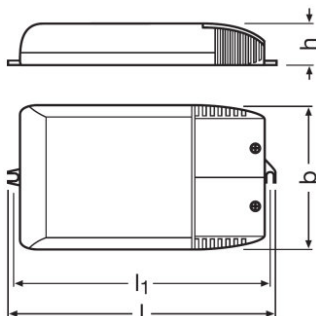
1) At 230 V<sub>AC</sub>

2) Minimum

3)  $t_{width} = 150 \mu s$  (measured at 50 %  $I_{peak}$ )

4) Type B

### Dimensions & weight



## Product datasheet

Length	171.0 mm
Width	83.0 mm
Height	32.0 mm
Mounting hole spacing, length	163.0 mm
Cable cross-section, input side	0.75...2.5 mm <sup>2</sup>
Cable cross-section, output side	0.75...2.5 mm <sup>2</sup>
Wire preparation length, input side	10...11 mm
Wire preparation length, output side	10...11 mm
Product weight	285.00 g

### Colors & materials

Casing material	Plastic
-----------------	---------

### Temperatures & operating conditions

Ambient temperature range	-25...+65 °C
Maximum temperature at tc test point	80 °C

### Lifespan

ECG lifetime	50000 h <sup>1)</sup>
--------------	-----------------------

<sup>1)</sup> At maximum T<sub>c</sub> / 10% failure rate

### Additional product data

Design / version	With cable clamp
Suitable for lamp power (1 lamp)	39 W

### Capabilities

Max. cable length to lamp/LED module	1.5 m
Overheating protection	Power reduction and switch off at T > 80 °C at the tc point
Overvoltage protection at 275...300 V	48 h <sup>1)</sup>
Overvoltage protection at 300...320 V	2 h <sup>1)</sup>
Overvoltage protection at 320...350 V	5 min <sup>2)</sup>
ECG reset time	> 0.5 s
Cable/wire types, input side	NYM-J 3x1.5 / NYM-J 3x2.5 / H05VV-F 3x1.5 / NHXMH-J 3x1.5 mm <sup>2</sup>
Cable/wire types, output side	SIHF-J 3x1.5 / SIHF-J 3x2.5 / SIHSI 3x1.0 mm <sup>2</sup>
Dimmable	No
Restriction on ignition time	20 min
Suitable for fixtures with prot. class	I
Intended for no-load operation	No

## Product datasheet

1) Control gear switches off after 40 s

2) Control gear switches off or does not start

### Certificates & standards

Approval marks – approval	ENEC 10 / VDE / VDE-EMC / EAC / C-Tick
Type of protection	IP20
EEL – Energy Label	A2
Standards	Acc. to EN 61347-2-12/Acc. to EN 55015/Acc. to EN 61000-3-2/Acc. to EN 61547/Acc. to EN 62493

### Logistical data

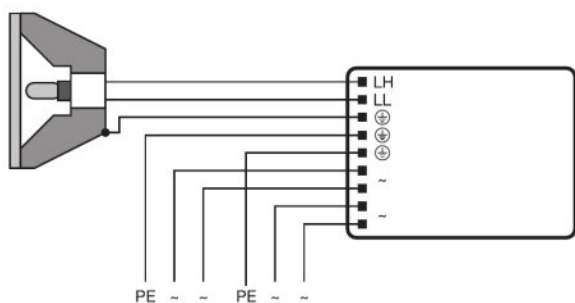
Commodity code	850410809000
----------------	--------------

### Environmental information

Information according Art. 33 of EU Regulation (EC) 1907/2006 (REACH)	
Date of Declaration	14-04-2022
Primary Article Identifier	4008321099488
Candidate List Substance 1	Lead
CAS No. of substance 1	7439-92-1
Safe Use Instruction	The identification of the Candidate List substance is sufficient to allow safe use of the article.
Declaration No. in SCIP database	a41cac77-ecf6-46ba-840c-df4712afc55f

### Wiring Diagram

---



---

342364\_Downlight Module

---

#### Safety advice

Ballast losses and lamp heat radiation can lead to heat accumulation in a completely closed case. Therefore it is necessary to ensure that the temperature at the measuring point  $t$  of the ECG does not exceed the maximum value.

---

#### Attention!

For safety reasons disconnect the device before replacing the lamp!


---

#### Additional product information

- In order to achieve good radio interference suppression:1. Keep the cable between ECG and lamp as short as possible.2. The single lamp wires must be routed as close as possible to each other.

---

#### Download Data

File	
	User instruction POWERTRONIC PTi   PT FIT I

---

## Product datasheet

	Product Datasheet 321405_ATI PTi 35220-240 I (G+GB)
	Tender documents 339884_Tender Document for POWERTRONIC EVG.eng
	Certificates 554891_EAC PT family
	Certificates VDE ENEC Certificate 40035813
	Declarations of conformity Powertronic UK DoC 4278196 150222
	Declarations of conformity Powertronic CE 3363432 150222
	Declarations of conformity Pti Pto PT-FIT EMC 280722
	Operating instructions 590731_EAC - PTi I PT-FIT I
	CAD data 3-dim 313448_155x83x32 9900003
	CAD data 3-dim 313472_155x83x32 9900003
	CAD data 3-dim 313492_155x83x32 9900003
	CAD data PDF 313385_155x83x32 9900003

### Ecodesign regulation information:

Separate control gear and light sources must be disposed of at certified disposal companies in accordance with Directive 2012/19/EU (WEEE) in the EU and with Waste Electrical and Electronic Equipment (WEEE) Regulations 2013 in the UK. For this purpose, collection points for recycling centres and take-back systems (CRSO) are available from retailers or private disposal companies, which accept separate control gear and light sources free of charge. In this way, raw materials are conserved and materials are recycled.

### Logistical Data

Product code	Product description	Packaging unit (Pieces/Unit)	Dimensions (length x width x height)	Volume	Gross weight
4008321099488	PTi 35/220...240 I	Shipping carton box 20	437 mm x 100 mm x 365 mm	15.95 dm <sup>3</sup>	6230.00 g

The mentioned product code describes the smallest quantity unit which can be ordered. One shipping unit can contain one or more single products. When placing an order, for the quantity please enter single or multiples of a shipping unit.

## Product datasheet

---

### Disclaimer

Subject to change without notice. Errors and omission excepted. Always make sure to use the most recent release.

## PTi 35/220...240 I

POWERTRONIC INTELLIGENT PTi I | ECG for HID lamps, with cable clamp

Product name	Lamp group
PTi 35/220...240 I	HCI-T 35W
	HCI-TF 35W