

PTi 70/220...240 I

POWERTRONIC INTELLIGENT PTi I | ECG for HID lamps, with cable clamp



Product family features

- Energy Efficiency Index EEI: A2
- Supply voltage: 220...240 V
- Line frequency: 50...60 Hz
- RI suppression: to EN 55015/CISPR 15
- Safety: to EN 61347-2-12
- Line harmonics according to EN 61000-3-2
- Immunity according to EN 61547

Product family benefits

- Extended terminal section enables mains looping
- Screw-down cable clamps for reliable strain relief
- Long reliable life at maximum permitted temperatures
- Automatic safety shutdown of lamps in the event of a defect or at end of life (EoL)

Areas of application

- Shop lighting
- Health and fitness areas (in luminaires with protection class IP66 or higher)
- Effect and accent lighting

Product datasheet

Technical data

Electrical data

| | |
|--|----------------------|
| Lamp wattage | 73 W |
| Maximum output power | 73 W |
| Line current | 0.36 A ¹⁾ |
| Ignition voltage | 4.5 kVp |
| Operating frequency | 0.200...0.240 kHz |
| System wattage | 79.00 W |
| Efficiency in full-load | 92 % |
| Input voltage AC | 198...264 V |
| Nominal voltage | 220...240 V |
| Mains frequency | 50...60 Hz |
| Power factor λ | 0.95 ²⁾ |
| Inrush current | 45 A ³⁾ |
| Max. ECG no. on circuit breaker 10 A (B) | 7 ⁴⁾ |
| Max. ECG no. on circuit breaker 16 A (B) | 13 ⁴⁾ |
| Max. no. of ECGs on 16A MCB with EBN-OS | 32 ⁴⁾ |
| Maximum current for mains looping | 16 A |
| Protective conductor current | 0.3 mA |
| U-OUT (working voltage) | 250 V |
| Max. working voltage between LH and LL | 250 V |
| Max. working voltage betw. LL/LH & earth | 250 V |
| Max. capacitance of wire ECG/lamp | 120 pF |

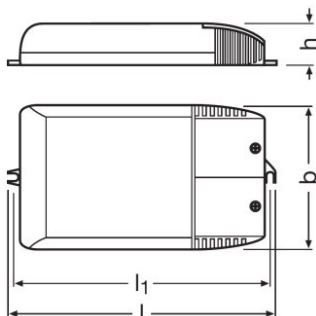
1) At 230 V_{AC}

2) Minimum

3) $t_{width} = 250 \mu s$ (measured at 50 % I_{peak})

4) Type B

Dimensions & weight



Product datasheet

| | |
|--------------------------------------|----------------------------|
| Length | 171.0 mm |
| Width | 83.0 mm |
| Height | 32.0 mm |
| Mounting hole spacing, length | 163.0 mm |
| Cable cross-section, input side | 0.75...2.5 mm ² |
| Cable cross-section, output side | 0.75...2.5 mm ² |
| Wire preparation length, input side | 10...11 mm |
| Wire preparation length, output side | 10...11 mm |
| Product weight | 290.00 g |

Colors & materials

| | |
|-----------------|---------|
| Casing material | Plastic |
|-----------------|---------|

Temperatures & operating conditions

| | |
|--------------------------------------|--------------|
| Ambient temperature range | -25...+50 °C |
| Maximum temperature at tc test point | 80 °C |

Lifespan

| | |
|--------------|-----------------------|
| ECG lifetime | 50000 h ¹⁾ |
|--------------|-----------------------|

¹⁾ At maximum T_c / 10% failure rate

Additional product data

| | |
|----------------------------------|------------------|
| Design / version | With cable clamp |
| Suitable for lamp power (1 lamp) | 73 W |

Capabilities

| | |
|--|---|
| Max. cable length to lamp/LED module | 1.5 m |
| Overheating protection | Power reduction and switch off at T > 80 °C at the tc point |
| Overvoltage protection at 275...300 V | 48 h ¹⁾ |
| Overvoltage protection at 300...320 V | 2 h ¹⁾ |
| Overvoltage protection at 320...350 V | 5 min ²⁾ |
| ECG reset time | > 0.5 s |
| Cable/wire types, input side | NYM-J 3x1.5 / NYM-J 3x2.5 / H05VV-F 3x1.5 / NHXMH-J 3x1.5 mm ² |
| Cable/wire types, output side | SIHF-J 3x1.5 / SIHF-J 3x2.5 / SIHSI 3x1.0 mm ² |
| Dimmable | No |
| Restriction on ignition time | 20 min |
| Suitable for fixtures with prot. class | I |
| Intended for no-load operation | No |

Product datasheet

1) Control gear switches off after 40 s

2) Control gear switches off or does not start

Certificates & standards

| | |
|----------------------------------|---|
| Approval marks – approval | ENEC 10 / VDE / VDE-EMC / EAC / C-Tick |
| Type of protection | IP20 |
| EEL – Energy Label | A2 |
| Standards | Acc. to EN 61347-2-12/Acc. to EN 55015/Acc. to EN 61000-3-2/Acc. to EN 61547/Acc. to EN 62493 |

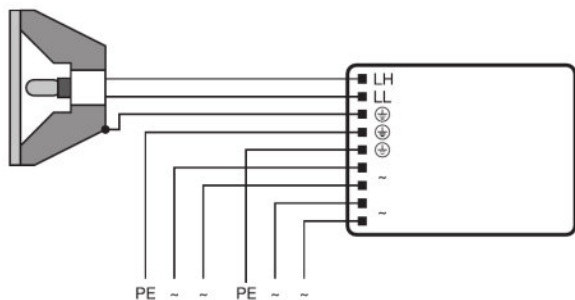
Logistical data

| | |
|-----------------------|--------------|
| Commodity code | 850410809000 |
|-----------------------|--------------|

Environmental information

| Information according Art. 33 of EU Regulation (EC) 1907/2006 (REACH) | |
|--|--|
| Date of Declaration | 14-04-2022 |
| Primary Article Identifier | 4008321099501 |
| Candidate List Substance 1 | Lead |
| CAS No. of substance 1 | 7439-92-1 |
| Safe Use Instruction | The identification of the Candidate List substance is sufficient to allow safe use of the article. |
| Declaration No. in SCIP database | 02e9bd70-d46a-4229-be30-c5afeb78fffd |

Wiring Diagram



342364_Downlight Module

Safety advice

Ballast losses and lamp heat radiation can lead to heat accumulation in a completely closed case. Therefore it is necessary to ensure that the temperature at the measuring point t of the ECG does not exceed the maximum value.


Attention!

For safety reasons disconnect the device before replacing the lamp!

Additional product information

- In order to achieve good radio interference suppression:1. Keep the cable between ECG and lamp as short as possible.2. The single lamp wires must be routed as close as possible to each other.

Download Data

| File | |
|---|--|
|  | User instruction POWERTRONIC PTi PT FIT I |

Product datasheet

| | |
|---|--|
|  | Addon Technical Information 323171_ATI PTi 70220-240 I |
|  | Tender documents 339884_Tender Document for POWERTRONIC EVG.eng |
|  | Certificates 554891_EAC PT family |
|  | Certificates VDE ENEC Certificate 40035813 |
|  | Declarations of conformity Powertronic UK DoC 4278196 150222 |
|  | Declarations of conformity Powertronic CE 3363432 150222 |
|  | Declarations of conformity Pti Pto PT-FIT EMC 280722 |
|  | Operating instructions 590731_EAC - PTi I PT-FIT I |
|  | CAD data 3-dim 313448_155x83x32 9900003 |
|  | CAD data 3-dim 313472_155x83x32 9900003 |
|  | CAD data 3-dim 313492_155x83x32 9900003 |
|  | CAD data PDF 313385_155x83x32 9900003 |

Ecodesign regulation information:

Separate control gear and light sources must be disposed of at certified disposal companies in accordance with Directive 2012/19/EU (WEEE) in the EU and with Waste Electrical and Electronic Equipment (WEEE) Regulations 2013 in the UK. For this purpose, collection points for recycling centres and take-back systems (CRSO) are available from retailers or private disposal companies, which accept separate control gear and light sources free of charge. In this way, raw materials are conserved and materials are recycled.

Logistical Data

| Product code | Product description | Packaging unit (Pieces/Unit) | Dimensions (length x width x height) | Volume | Gross weight |
|---------------|---------------------|------------------------------|--------------------------------------|-----------------------|--------------|
| 4008321099501 | PTi 70/220...240 I | Shipping carton box 20 | 436 mm x 110 mm x 374 mm | 17.94 dm ³ | 6207.00 g |

The mentioned product code describes the smallest quantity unit which can be ordered. One shipping unit can contain one or more single products. When placing an order, for the quantity please enter single or multiples of a shipping unit.

Product datasheet

Disclaimer

Subject to change without notice. Errors and omission excepted. Always make sure to use the most recent release.

PTi 70/220...240 I

POWERTRONIC INTELLIGENT PTi I | ECG for HID lamps, with cable clamp

| Product name | Lamp group |
|--------------------|-------------|
| PTi 70/220...240 I | HCI-E/P 70W |
| | HCI-ET 70W |
| | HCI-T 70W |
| | HCI-TS 70W |
| | HQI-T 70W |
| | HQI-TS 70W |