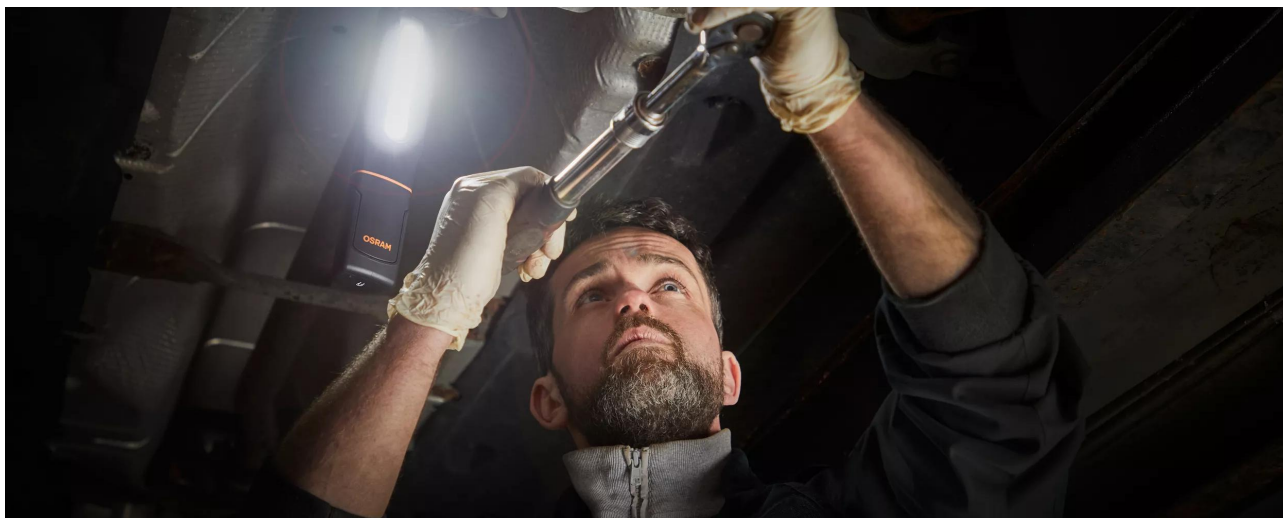


LEDinspect MAX500

LED Inspectionlights



Multi-Angle Flex & Twist

High flexibility due to multiple positioning possibilities



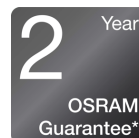
2in1

LED Inspectionlight & UV lamp in one



500 Lumen

Three light functions - high with up to 500 lm, low with up to 250 lm and torchlight function with up to 70 lm



2-year-OSRAM guarantee*

Systematic quality assurance measures underpin the premium workmanship and functionality of our products. Innovative technology and excellent quality really pay dividends for our customers.

Product datasheet



Light is versatile

With three light functions - high with up to 500lm, low with up to 250lm and UV torchlight, the MAX500 offers high flexibility and different application possibilities. The 360° twist and 180° flex base give maximum flexibility to be able to adjust the angle of light exactly where needed. The integrated charge indicator shows the charging status of the rechargeable battery - up to 4.5h operating time at high power or up to 7.5h at low power. In accordance with the IP protection class IP65, this inspection light has protection against the ingress of dust and water and is tested for impact resistance in accordance with IK08. This inspection light contains an integrated hook & magnets for hands-free work and easy attachment and is therefore ideal as a light for manual activities, car repairs and in everyday life. In addition, OSRAM grants a 2-year guarantee on this product* USB charging cable and mains charger included.

Product datasheet

Technical data

Product information

Application (Category and Product specific)	LED inspection lights
---	-----------------------

General Product Information

Global order reference	LEDIL402
------------------------	----------

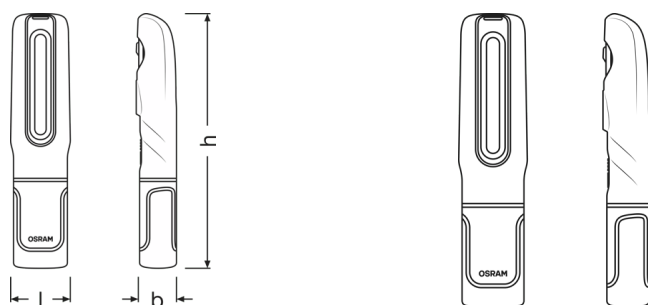
Electrical Data

Nominal wattage	16 W
Nominal voltage	3.7 V

Photometric Data

Color temperature	5700 K
Nominal luminous flux	500 lm
Light color LED	White

Physical Attributes & Dimensions



Product weight	350.00 g
Length	253.0 mm
Width	59.0 mm
Height	44.0 mm

LED module information

Number of LEDs per module	2
---------------------------	---

Colors & materials

Base color	Black / Orange
------------	----------------

Product datasheet

Lifetime Data

Guarantee	2 years
-----------	---------

Additional product data

Type of Battery	Rechargeable
Number of included batteries	1
Scope of battery	Yes
Battery	High-quality lithium-ion battery

Capabilities

Technology	LED
------------	-----

Certificates & standards

Standards	CE / EMC / MSDS / ROHS
IK Class	IK08

Logistical data

Watt hour per battery	16.65
-----------------------	-------

Environmental & Regulatory Information

Information according Art. 33 of EU Regulation (EC) 1907/2006 (REACH)	
Candidate list substance 1	Lead
CAS No. of substance 1	7439-92-1
Safe use instruction	The identification of the Candidate List substance is sufficient to allow safe use of the article.
Declaration no. in SCIP database	4ea2e5ca-7a27-48f2-b810-484a294b269a




Logistical Data

Product code	Product description	Packaging unit (Pieces/Unit)	Dimensions (length x width x height)	Volume	Gross weight
4052899623835	INSPECTION LAMP	Folding carton box 1	90 mm x 50 mm x 262 mm	1.18 dm ³	770.00 g
4052899623958	INSPECTION LAMP	Shipping carton box 6	200 mm x 170 mm x 290 mm	9.86 dm ³	7420.00 g

The mentioned product code describes the smallest quantity unit which can be ordered. One shipping unit can contain one or more single products. When placing an order, for the quantity please enter single or multiples of a shipping unit.

Product datasheet

Download Data

File	
	User instruction LEDinspect MAX 500 LEDIL402
	User instruction GPRS_Safety symbols instructions
	Movie application LEDinspect Inspection Lights Trailer

Legal advice

Application advice:

For more detailed application information and graphics please see product datasheet and user instruction.*for precise conditions please refer to:

www.osram.com/am-guarantee

Application advice

For more detailed application information and graphics please see product datasheet.

Disclaimer

Subject to change without notice. Errors and omission excepted. Always make sure to use the most recent release.

OSRAM