

LEDinspect TWIST250

Inspectionlights



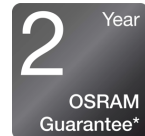
Multi-Angle Flex & Twist
High flexibility and diverse adjustment possibilities thanks to multi angle positioning



250 Lumen
2 light functions: Up to 250lm -high Up to 125lm -low



2in1
Inspectionlight & Torchlight function



2-year-OSRAM guarantee*
Systematic quality assurance measures underpin the premium workmanship and functionality of our products. Innovative technology and excellent quality really pay dividends for our customers.



Light is versatile

With the TWIST 250 you have the possibility to easily control the direction of the light beam. A light output of up to 250 lumens and a colour temperature of up to 6000K, make the TWIST 250 ideal for use in workshops and beyond. Lightweight, robust and with a 360° rotation and a 180° grid function, it is an optimal tool for targeted lighting. Mains charger included. In addition, OSRAM provides a 2-year guarantee on this product*

Product datasheet

Technical data

Product information

Application (Category and Product specific)	LED inspection lights
---	-----------------------

General Product Information

Global order reference	LEDIL412
------------------------	----------

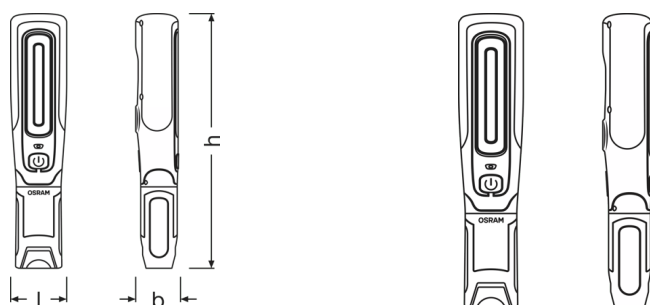
Electrical Data

Nominal wattage	8 W
Nominal voltage	3.7 V

Photometric Data

Color temperature	6000 K
Nominal luminous flux	250 lm
Light color LED	White

Physical Attributes & Dimensions



Product weight	488.00 g
Length	243.0 mm
Width	50.0 mm
Height	44.0 mm

LED module information

Number of LEDs per module	2
---------------------------	---

Colors & materials

Base color	Black / Orange
------------	----------------

Product datasheet

Lifetime Data

Guarantee	2 years
-----------	---------

Additional product data

Type of Battery	Rechargeable
Number of included batteries	1
Scope of battery	Yes
Battery	High-quality lithium-ion battery

Capabilities

Technology	LED
------------	-----

Certificates & standards

Standards	CE / EMC / MSDS / ROHS
IK Class	IK09

Logistical data

Watt hour per battery	8.14
-----------------------	------

Environmental & Regulatory Information

Information according Art. 33 of EU Regulation (EC) 1907/2006 (REACH)	
Candidate list substance 1	Lead
CAS No. of substance 1	7439-92-1
Safe use instruction	The identification of the Candidate List substance is sufficient to allow safe use of the article.
Declaration no. in SCIP database	c20eb463-09bd-4c1e-8bd5-69238c3db62e




Logistical Data

Product code	Product description	Packaging unit (Pieces/Unit)	Dimensions (length x width x height)	Volume	Gross weight
4052899623934	INSPECTION LAMP	Folding carton box 1	87 mm x 55 mm x 362 mm	1.73 dm ³	572.00 g
4052899624054	INSPECTION LAMP	Shipping carton box 6	412 mm x 285 mm x 140 mm	16.44 dm ³	3802.00 g

The mentioned product code describes the smallest quantity unit which can be ordered. One shipping unit can contain one or more single products. When placing an order, for the quantity please enter single or multiples of a shipping unit.

Product datasheet

Download Data

File	
	User instruction LEDinspect TWIST 250
	User instruction GPRS_Safety symbols instructions
	Movie application LEDinspect Inspection Lights Trailer

Legal advice

Application advice:

For more detailed application information and graphics please see product datasheet and user instruction.*for precise conditions please refer to:

www.osram.com/am-guarantee

Application advice

For more detailed application information and graphics please see product datasheet.

Disclaimer

Subject to change without notice. Errors and omission excepted. Always make sure to use the most recent release.

OSRAM